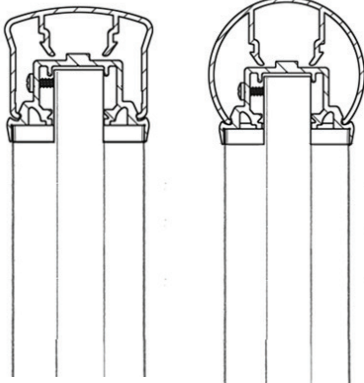


Franklin

Madison



Finish:

Advanced Powercoat™ allows us to produce a high quality, long lasting finish, which is also environmentally friendly. Powercoat is twice the thickness and hardness of a typical baked enamel finish. Meets AAMA 2604-5 standards for the ultimate in durability and UV protection.

Materials:

All Signature Collection railing components are extruded from Ultrum™ 6005-T5 alloy, with a minimum ultimate strength of 35,000 psi. Every railing system is assembled with hidden stainless steel, corrosion-resistant fasteners. Signature Collection posts come in a variety of thicknesses. Designer Accessories are zinc die cast aluminum. All Designer Accessories are Powercoat™ finished.

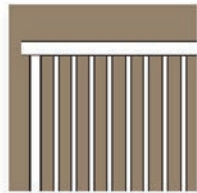
Ultra Aluminum Lifetime Warranty

Ultra Aluminum fence and railing products are guaranteed for life against defects in workmanship and/or materials. The Powercoat™ finish on all fencing and railing by Ultra Aluminum is guaranteed for life against cracking, peeling or chipping. **Visit our website for more information and a copy of the warranty.**

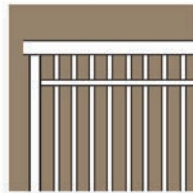
Environmentally Responsible

Ultra is proud to use recycled aluminum in our products. Aluminum is the most commonly recycled metal in the world. Our Powercoat™ coating process is environmentally friendly and virtually pollution-free.

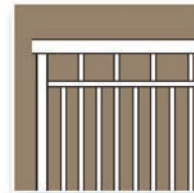
Design Options



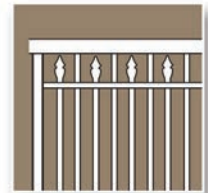
UARC-200-2R Two Rail



UARC-200-3R Three Rail



UARC-220-3R Three Rail



UARC-250-3R Three Rail with Spears



UARC-270-3R Three Rail



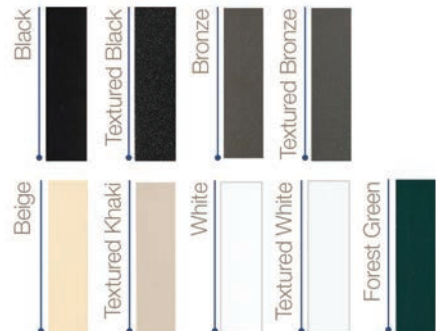
UAGC-270 3R Glass Railing

Railing Specifications

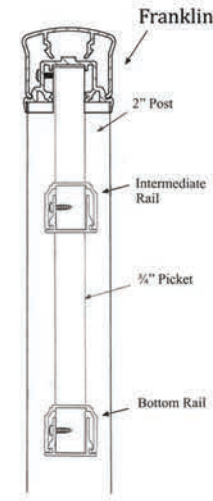
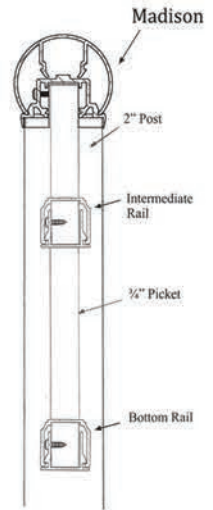
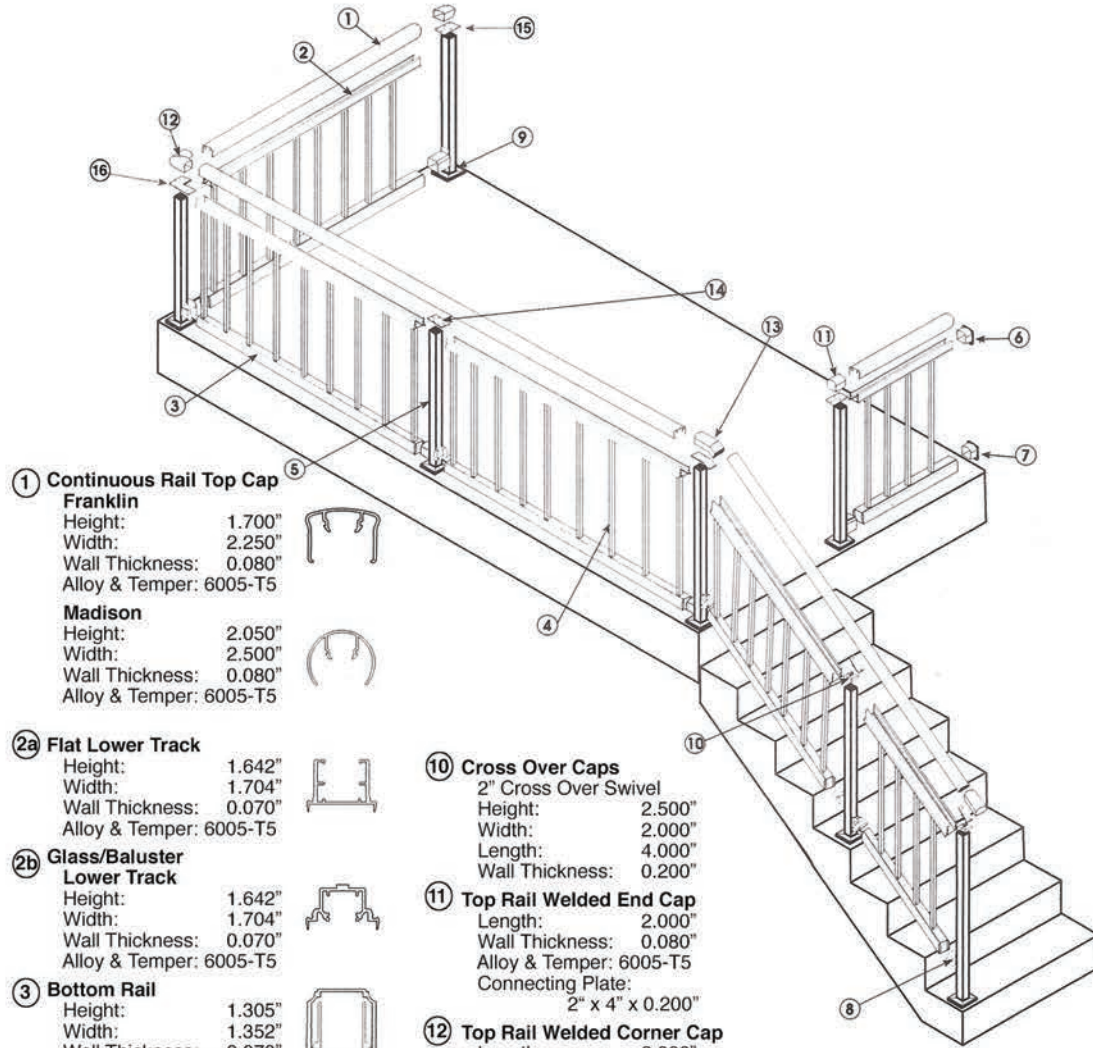
Components	Continuous
Square Picket	¾" sq. x .055" thickness
Top Cap Franklin	1.700"h x 2.250"w 0.080 thickness
Top Cap Madison	2.050"h x 2.500"w 0.080 thickness
Bottom Rail	1.305"h x 1.352"w 0.070 thickness
Boss Screw Posts	2" sq. x 0.125" 3" sq. x 0.125"
Spacing Between Pickets	3 ¾" (1 ¾" available)
Post Spacing	72" on center based on 2" post
Heights Available	36" & 42"
Signature Columns and Newel Posts	6" sq. 0.100" thickness 8" sq. 0.100" thickness

Colors

Ultra Railing, Gates and Designer Accessories are available in nine classic colors as well as custom specified hues. All colors are applied with a special Powercoat™ finish to resist harsh weather and heat.



Colors shown represent an approximate comparison and may vary slightly from actual product color.



- 1 Continuous Rail Top Cap**
Franklin
 Height: 1.700"
 Width: 2.250"
 Wall Thickness: 0.080"
 Alloy & Temper: 6005-T5
Madison
 Height: 2.050"
 Width: 2.500"
 Wall Thickness: 0.080"
 Alloy & Temper: 6005-T5

- 2a Flat Lower Track**
 Height: 1.642"
 Width: 1.704"
 Wall Thickness: 0.070"
 Alloy & Temper: 6005-T5

- 2b Glass/Baluster Lower Track**
 Height: 1.642"
 Width: 1.704"
 Wall Thickness: 0.070"
 Alloy & Temper: 6005-T5

- 3 Bottom Rail**
 Height: 1.305"
 Width: 1.352"
 Wall Thickness: 0.070"
 Alloy & Temper: 6005-T5

- 4 3/4" x 3/4" Square Baluster**
 Wall Thickness: 0.055"
 Alloy & Temper: 6005-T5

- 5 Blank Post**
 2" Sq. x 2" Sq.
 Wall Thickness: 0.125"
 Alloy & Temper: 6005-T5
 3" Sq. x 3" Sq.
 Wall Thickness: 0.125"
 Alloy & Temper: 6005-T5

- 6 Standard Rail End Top Rail**
 Wall Thickness: 0.100"
 Alloy & Temper: A-360

- 7 Standard Rail End Bottom Rail**
 Wall Thickness: 0.100"
 Alloy & Temper: A-360

- 8 Adjustable Rail End Bottom Rail**
 Wall Thickness: 0.200"
 Alloy & Temper: A-360

- 9 Flange w/Skirt**
 Thickness: 0.375"
 Width: 4.000"
 Width: 5.000"
 Alloy & Temper: 6005-T5

- 10 Cross Over Caps**
 2" Cross Over Swivel
 Height: 2.500"
 Width: 2.000"
 Length: 4.000"
 Wall Thickness: 0.200"

- 11 Top Rail Welded End Cap**
 Length: 2.000"
 Wall Thickness: 0.080"
 Alloy & Temper: 6005-T5
 Connecting Plate:
 2" x 4" x 0.200"

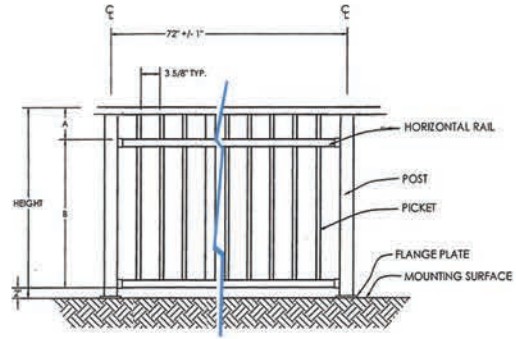
- 12 Top Rail Welded Corner Cap**
 Length: 2.000"
 Wall Thickness: 0.080"
 Alloy & Temper: 6005-T5
 Connecting Plate:
 2" x 4" x 0.200"

- 13 Top Rail Angle Cap Plate**
 Angle Up or Down (Custom)
 Length: 4.000"
 Wall Thickness: 0.080"
 Alloy & Temper: 6005-T5
 Connecting Plate:
 2" x 6" x 0.200"

- 14 Top Rail Straight Line Connector**
 Width: 2.000"
 Length: 6.000"
 Thickness: 0.200"
 Alloy & Temper: 6005-T5

- 15 Top Rail End Connector**
 Width: 2.000"
 Length: 4.000"
 Thickness: 0.200"
 Alloy & Temper: 6005-T5

- 16 Top Rail Corner Connector**
 Width: 4.000"
 Length: 4.000"
 Thickness: 0.200"
 Alloy & Temper: 6005-T5



Dimensions			
Height	A	B	Panel Hgt.
36"	6"	28"	34"
42"	6"	34"	40"